

# XCC2510SPA81KGN

absolute encoder Ø58 stainless steel - single turn - solid shaft 10mm - PP Gray



## Main

Range of product	OsiSense XCC
Encoder type	Single turn absolute encoder
Device short name	XCC
Product specific application	Food and beverage
Diameter	58 mm
Shaft diameter	10 mm
Shaft type	Solid shaft
Resolution	8192 points
Electrical connection	Cable axial shielded
Cable length	2 m
Cable insulation material	TPU
Output stage	Type KG
Type of output stage	Driver push-pull gray
[Us] rated supply voltage	5...30 V DC
Enclosure material	Stainless steel 316 L

## Complementary

Shaft tolerance	G6
Residual ripple	500 mV
Supply voltage limits	5...30 V
Maximum revolution speed	3000 rpm
Shaft moment of inertia	12 g.cm <sup>2</sup>
Torque value	0.09 N.m
Maximum load	25 daN axial 50 daN radial
Output frequency	100 kHz
Current consumption	0...100 mA no-load
Protection type	Reverse polarity protection Short-circuit protection
Maximum output current	20 mA
Output level	Low level: 0.5 V maximum 20 mA High level: 2.5 V minimum
Surge withstand	1 kV, level 2 conforming to IEC 61000-4-5
Base material	Stainless steel 316 L
Shaft material	Stainless steel 316 L
Type of ball bearings	6000
Net weight	0.915 kg

## Environment

Marking	CE
Ambient air temperature for operation	-20...90 °C
Ambient air temperature for storage	-40...100 °C
IP degree of protection	IP68 conforming to IEC 60529 IP69K conforming to IEC 60529
Vibration resistance	10 gn (f= 55...2000 Hz) conforming to IEC 60068-2-6
Shock resistance	30 gn for 11 ms conforming to IEC 60068-2-27

Resistance to electrostatic discharge	4 KV (contact discharge) level 3 conforming to IEC 61000-4-2 8 KV (air discharge) level 3 conforming to IEC 61000-4-2
Resistance to electromagnetic fields	10 V/m level 3 conforming to IEC 61000-4-3
Resistance to fast transients	1 KV signal ports level 3 conforming to IEC 61000-4-4 2 KV power ports level 3 conforming to IEC 61000-4-4

## Packing Units

Unit Type of Package 1	PCE
Number of Units in Package 1	1
Package 1 Height	8.5 cm
Package 1 Width	14 cm
Package 1 Length	27 cm
Package 1 Weight	1.075 kg

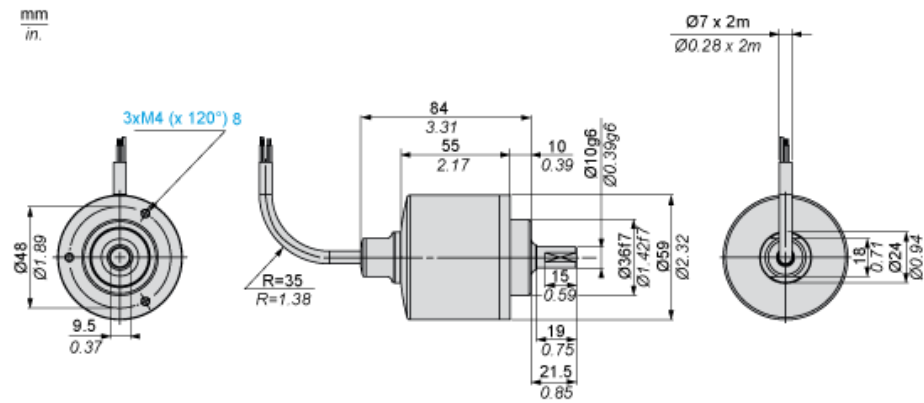
## Offer Sustainability

Toxic heavy metal free	Yes
California proposition 65	WARNING: This product can expose you to chemicals including: Di-isodecyl phthalate (DIDP) and Diisononyl phthalate (DINP) which is known to the State of California to cause Carcinogen and Reproductive harm. For more information go to <a href="http://www.p65warnings.ca.gov">www.p65warnings.ca.gov</a>
For all Reach Rohs enquiries contact us at	<a href="mailto:sustainability@tesensors.com">sustainability@tesensors.com</a>

## Contractual warranty

Warranty	18 months
----------	-----------


Dimensions





R : Minimum bend radius = 35 mm

Wiring Diagram

Cable Version Encoders

Wire colour	WH White	BN Brown	GN Green	YE Yellow	GY Grey	OG Orange	BU Blue	RD Red
Signal Supply	0 V	+V	d0	d1	d2	d3	d4	d5
Wire colour	BK Black	VT Violet	WH/BN White/brown	WH/GN White/green	WH/YE White/yellow	WH/BK White/black	WH/OG White/ orange	WH/RD White/red
Signal Supply	d6	d7	d8	d9	d10	d11	d12	Direction  (1)

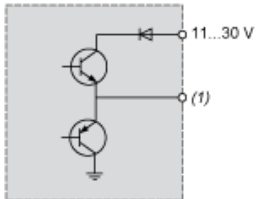
- (1)  : Clockwise direction, to + V  
 : Anticlockwise direction, to 0 V

---

Technical Description

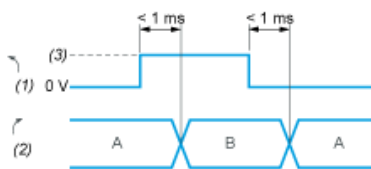
---

Type KB and KG (N) Output Stage



(1) Output

KB and KG (N) DIRECTION Input



- A : Anticlockwise
- B : Clockwise
- (1) DIRECTION input
- (2) DIRECTION of counting
- (3) V supply