

# XCKJ10511H29

Limit switch, XCStandard, XCKJ, thermoplastic roller lever, 1NC+1 NO, snap action, M20



## Main

Range of product	Telemecanique Limit switches XC Standard
Series name	Standard format
Product or component type	Limit switch
Device short name	XCKJ
Sensor design	Form A conforming to CENELEC EN 50041
Body type	Fixed
Head type	Rotary head
Material	Metal
Body material	Zamak
Head material	Zamak
Fixing mode	By the body
Movement of operating head	Rotary
Type of operator	Spring return roller lever thermoplastic
Type of approach	Lateral approach, 1 or 2 programmable direction
Cable entry	1 entry tapped for M20 x 1.5 cable gland, cable outer diameter: 7...13 mm
Number of poles	2
Contacts type and composition	1 NC + 1 NO
Contact operation	Snap action

## Complementary

Switch actuation	Electrical	By 30° cam Screw-clamp terminals, clamping capacity: 1 x 0.34...2 x 1.5 mm <sup>2</sup> Zb
connection	Contacts insulation	1 With 0.5 N.m 0.25 N.m 1.5 m/s 3 A at 240 V, AC-15, A300 conforming to IEC
form	Number of steps	Positive 60947-5-1 appendix A
opening	Positive opening	0.27 A at 250 V, DC-13, Q300 conforming to IEC 60947-5-1 appendix A
minimum torque	Minimum torque	10 A
for tripping	Maximum actuation	300 V conforming to UL 508
speed [Ie]	rated operational	500 V (pollution degree 3) conforming to IEC 60947-1
current		300 V conforming to CSA C22.2 No 14
		25 MOhm conforming to IEC 60255-7 category 3
		6 kV conforming to IEC 60664
		6 kV conforming to IEC 60947-1
[Ithe] conventional enclosed thermal current		10 A cartridge fuse, type gG
[Ui] rated insulation voltage		5000000 Cycles, DC-13, inductive load type, 120 V, 4 W, operating rate <60 cyc/mn, load factor: 0.5 conforming to IEC 60947-5-1 appendix C
		5000000 Cycles, DC-13, inductive load type, 24 V, 10 W, operating rate <60 cyc/mn, load factor: 0.5 conforming to IEC 60947-5-1 appendix C
Maximum resistance across terminals		5000000 cycles, DC-13, inductive load type, 48 V, 7 W, operating rate <60 cyc/mn, load factor: 0.5 conforming to IEC 60947-5-1 appendix C
[Uimp] rated impulse withstand voltage		30000000 cycles
Short-circuit protection		40 mm
Electrical durability		77 mm

Mechanical durability

Width

Height

Depth	44 mm
Net weight	0.48 kg
Terminals description ISO n°1	(21-22)NC (13-14)NO

## Environment

Shock resistance	50 gn for 11 ms conforming to IEC 60068-2-27 25
Vibration resistance IP	gn (f= 10...500 Hz) conforming to IEC 60068-2-6
degree of protection IK	IP66 conforming to IEC 60529 IK07 conforming to
degree of protection	IEC 62262 Class I conforming to IEC 61140
Overvoltage category	Class I conforming to NF C 20-030 -25...70 °C
Ambient air temperature for operation	-40...70 °C
Ambient air temperature for storage	TH
Protective treatment	CCC[RETURN]UL[RETURN]CSA
Product certifications	IEC 60947-5-1
Standards	IEC 60204-1 CSA C22.2 No 14 CENELEC EN 50041 IEC 60204-1 IEC 60947-5-1 UL 508

## Packing Units

Unit Type of Package 1	PCE
Number of Units in Package 1	1
Package 1 Height Package 1	4.400 cm
Width Package 1 Length	7.000 cm
Package 1 Weight Unit Type of	12.800 cm
Package 2 Number of Units in	473.000 g
Package 2 Package 2 Height	S02
Package 2 Width Package 2	18
Length Package 2 Weight Unit	15.000 cm
Type of Package 3 Number of	30.000 cm
Units in Package 3 Package 3	40.000 cm
Height Package 3 Width	8.935 kg
Package 3 Length Package 3	P06
Weight	288
	75.000 cm
	60.000 cm
	80.000 cm
	152.868 kg

## Offer Sustainability

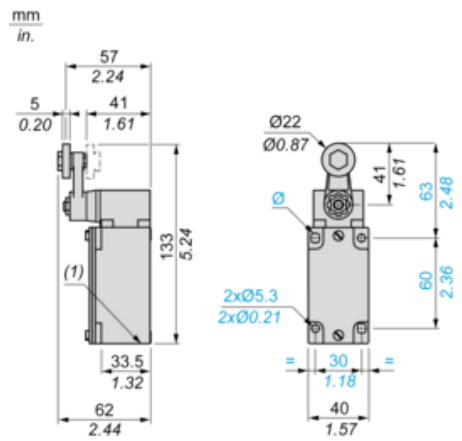
Sustainable offer status	Green Premium product No need of specific recycling operations WARNING:
Circularity Profile	This product can expose you to chemicals including: Diisononyl phthalate (DINP), which is known to the State of California to cause cancer, and Di-isodecyl phthalate (DIDP), which is known to the State of California to cause birth defects or other reproductive harm. For more information go to <a href="http://www.P65Warnings.ca.gov">www.P65Warnings.ca.gov</a> <a href="mailto:sustainability@tesensors.com">sustainability@tesensors.com</a>
California proposition 65	

For all Reach Rohs enquiries contact us at

## Contractual warranty

Warranty	18 months
----------	-----------

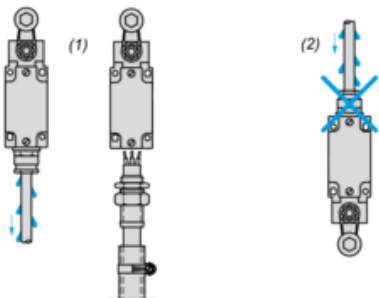
Dimensions



(1) 1 tapped entry M20 x 1.5

Mounting with Cable Entry

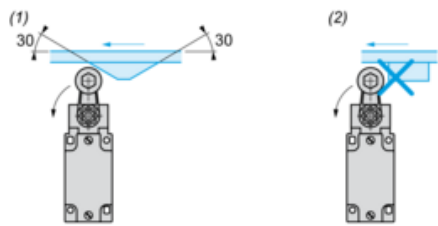
Position of Cable Gland



- (1) Recommended
- (2) To be avoided

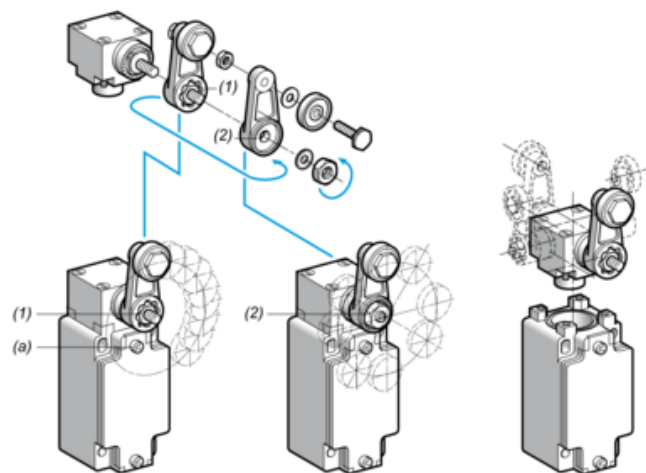
Mounting with Rotary Heads and Levers

Type of Cam



- (1) Recommended
- (2) To be avoided

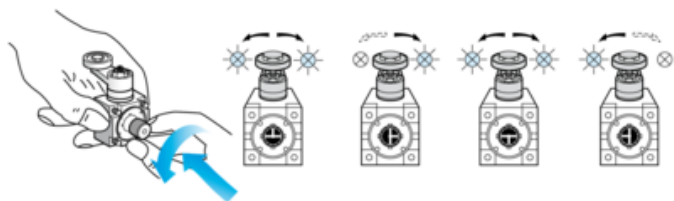
Setting-up with Lever Head



- (1) 5° steps throughout 360° / Tightening torque (Min : 1) (Max : 1.5)
- (2) 45° steps throughout 360° / Tightening torque (Min : 1) (Max : 1.5)
- (a) Tightening torque (Min : 1) (Max : 1.5)

Setting-up with Head ZCKE05

## Direction of Actuation Programming

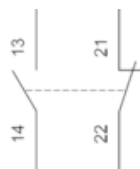


---

Wiring Diagram

---

2-pole NC + NO Snap Action

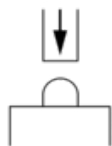


---

Characteristics of Actuation

---

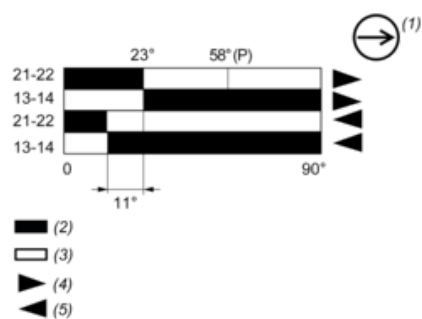
Switch Actuation on End



---

Functionnal Diagram

---



(P) Positive opening point

(1) NC contact with positive opening operation

(2) Closed

(3) Open

(4) Tripping

(5) Resetting