

# Product data sheet

Specifications



## integrated drive ILA with servo motor - 24..36 V - Profibus DP - PCB connector

ILA1B572PB1A0

⚠ Discontinued

⚠ Discontinued on: Sep 15, 2023

⚠ End-of-service on: Dec 31, 2024

**Product availability: Non-Stock - Not normally stocked in distribution facility**

### Main

|                           |  |
|---------------------------|--|
| Range of Product          | Lexium integrated drive                    |
| Product or Component Type | Motion integrated drive                    |
| Device short name         | ILA  |
| Motor Type                | AC Synchronous Servo Motor                 |
| Number of motor poles     | 6  |
| Phase                     | Single phase                               |
| [Us] rated supply voltage | 24 V<br>36 V                               |
| Network type              | DC   |
| Communication interface   | Profibus DP, Integrated                    |
| Length                    | 6.4 in (163.8 mm)                          |
| Winding type              | Medium speed of rotation and medium torque |
| Electrical Connection     | Printed circuit board connector            |
| Holding brake             | Without                                    |
| Gear box type             | Without                                    |
| Nominal speed             | 2600 rpm 24 V<br>4300 rpm 36 V             |
| Nominal torque            | 3.98 lbf.in (0.45 N.m)                     |

### Complementary

|                                       |  |
|---------------------------------------|--|
| Transmission Rate                     | 9.6, 19.2, 45.45, 93.75, 187.5, 500, 1500, 3000, 6000 and 12000 kbauds |
| Mounting Support                      | Flange   |
| Motor flange size                     | 2.2 in (57 mm)   |
| Number of motor stacks                | 2  |
| Centring collar diameter              | 2.0 in (50 mm)   |
| Centring collar depth                 | 0.06 in (1.6 mm)   |
| Number of mounting holes              | 4  |
| Mounting holes diameter               | 0.2 in (5.2 mm)  |
| Circle diameter of the mounting holes | 2.6 in (66.6 mm)   |

Price is "List Price" and may be subject to a trade discount – check with your local distributor or retailer for actual price.

|                                   |   |
|-----------------------------------|---|
| <b>Feedback type</b>              | Single turn encoder   |
| <b>Shaft end</b>                  | Untapped  |
| <b>Second shaft</b>               | Without second shaft end  |
| <b>Shaft diameter</b>             | 0.4 in (9 mm)   |
| <b>Shaft length</b>               | 0.8 in (20 mm)  |
| <b>Supply voltage limits</b>      | 18...40 V   |
| <b>Current consumption</b>        | 7000 mA maximum continuous<br>8500 mA peak  |
| <b>Associated fuse rating</b>     | 10 A  |
| <b>Input/output type</b>          | 4 signals (each be used as input or output)   |
| <b>Voltage state 0 guaranteed</b> | -3...4.5 V  |
| <b>Voltage state 1 guaranteed</b> | 15...30 V   |
| <b>Discrete input current</b>     | 10 mA at 24 V on/STO_A safety input<br>3 mA at 24 V on/STO_B safety input<br>2 mA at 24 V 24 V signal interface |
| <b>Discrete output voltage</b>    | 23...25 V   |
| <b>Maximum switching current</b>  | 100 mA per output<br>200 mA total   |
| <b>Protection Type</b>            | Short circuit of the output voltage<br>Overload of output voltage<br>Safe torque off                            |
| <b>Peak stall torque</b>          | 6.37 lbf.in (0.72 N.m)  |
| <b>Continuous stall torque</b>    | 3.98 lbf.in (0.45 N.m)  |
| <b>Speed feedback resolution</b>  | 16384 points/turn   |
| <b>Accuracy error</b>             | +/- 0.05 °  |
| <b>Rotor inertia</b>              | 0.18 kg.cm <sup>2</sup>   |
| <b>Maximum radial force Fr</b>    | 107 N   |
| <b>Maximum axial force Fa</b>     | 104 N force pressure)<br>104 N tensile force)   |
| <b>Service life in hours</b>      | 20000 h bearing   |
| <b>Marking</b>                    | CE  |
| <b>Type of cooling</b>            | Natural convection  |
| <b>Net Weight</b>                 | 3.7 lb(US) (1.7 kg)   |

## Environment

|  |   |
|--|---|
| <b>Standards</b>   | IEC 61800-3, Ed 2<br>EN 50347<br>IEC 60072-1<br>EN/IEC 50178<br>EN 61800-3 : 2001-02<br>EN 61800-3:2001, second environment<br>EN/IEC 61800-3 |
| <b>Product Certifications</b>                                | UL<br>TÜV<br>cUL  |
| <b>Ambient air temperature for operation</b>                 | 122...149 °F (50...65 °C) (with power derating of 2 % per °C)<br>32...122 °F (0...50 °C) (without derating)                                   |
| <b>Permissible ambient air temperature around the device</b> | 221 °F (105 °C) power amplifier<br>230 °F (110 °C) motor  |

|  |   |
|--|---|
| <b>Ambient Air Temperature for Storage</b> | -13...158 °F (-25...70 °C)  |
| <b>Operating altitude</b>                  | <= 3280.84 ft (1000 m) without derating   |
| <b>Relative humidity</b>                   | 15...85 % without condensation  |
| <b>Vibration resistance</b>                | 20 m/s <sup>2</sup> 10...500 Hz) 10 cycles EN/IEC 60068-2-6   |
| <b>Shock resistance</b>                    | 150 m/s <sup>2</sup> 1000 shocks EN/IEC 60068-2-29  |
| <b>IP degree of protection</b>             | IP41 shaft bushing: conforming to EN/IEC 60034-5<br>IP54 total except shaft bushing: conforming to EN/IEC 60034-5 |

## Ordering and shipping details

|                          |               |
|--------------------------|---------------|
| <b>Category</b>          | US1PC5618288  |
| <b>Discount Schedule</b> | PC56          |
| <b>GTIN</b>              | 3389119225267 |
| <b>Returnability</b>     | No            |

## Packing Units

|                               |                         |
|-------------------------------|-------------------------|
| <b>Unit Type of Package 1</b> | PCE                     |
| <b>Nbr. of units in pkg.</b>  | 1                       |
| <b>Package 1 Height</b>       | 4.5 in (11.5 cm)        |
| <b>Package 1 Width</b>        | 7.5 in (19.0 cm)        |
| <b>Package 1 Length</b>       | 15.6 in (39.5 cm)       |
| <b>Package weight(Lbs)</b>    | 4.883 lb(US) (2.215 kg) |

## Contractual warranty

|                             |    |
|-----------------------------|----|
| <b>Warranty (in months)</b> | 18 |
|-----------------------------|----|


## Environmental Data

Schneider Electric aims to achieve Net Zero status by 2050 through supply chain partnerships, lower impact materials, and circularity via our ongoing "Use Better, Use Longer, Use Again" campaign to extend product lifetimes and recyclability.



[Environmental Data explained >](#)

[How we assess product sustainability >](#)

### Use Better

|  Materials and Substances |  |
|--|--|
| <a href="#">EU RoHS Directive</a>  | Pro-active compliance (Product out of EU RoHS legal scope)   |
| REACH Regulation   | <a href="#">REACH Declaration</a>  |
| California proposition 65  | <b>WARNING:</b> This product can expose you to chemicals including: Lead and lead compounds, which is known to the State of California to cause cancer and birth defects or other reproductive harm. For more information go to <a href="http://www.P65Warnings.ca.gov">www.P65Warnings.ca.gov</a> |
| PVC free   | Yes  |

### Use Again

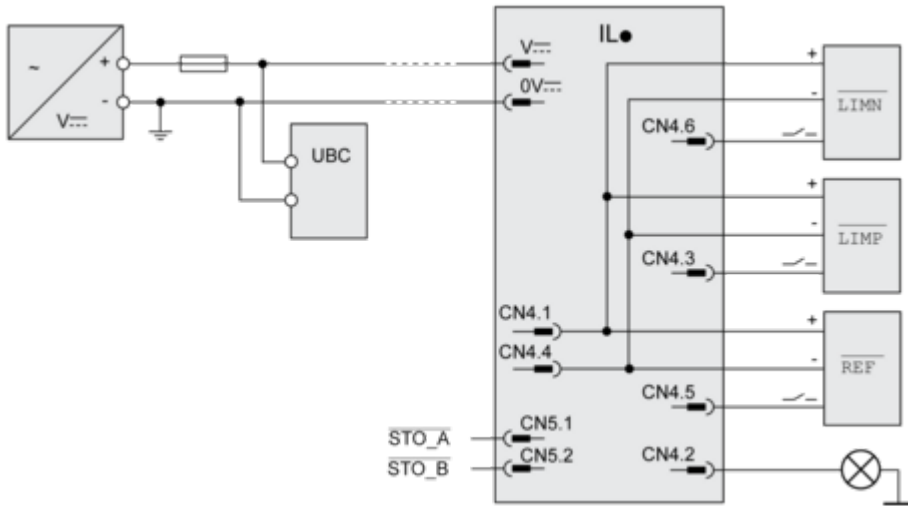
|  Repack and remanufacture |  |
|---|--|
| Circularity Profile   | <a href="#">End of Life Information</a>  |
| WEEE Label  |  The product must be disposed on European Union markets following specific waste collection and never end up in rubbish bins. |



Wiring

Connection Example with 4 I/O Signals

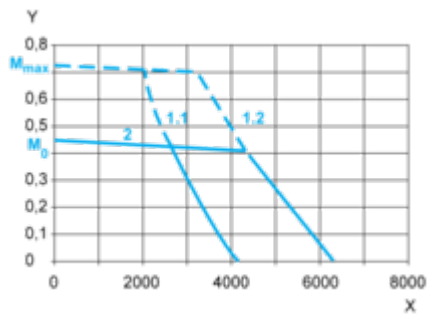
---



PerformanceCurves

Torque Characteristics

---



X Speed of rotation in rpm

Y Torque in Nm

1.1 Max. torque at 24 V

1.2 Max. torque at 36 V

2 Continuous torque