

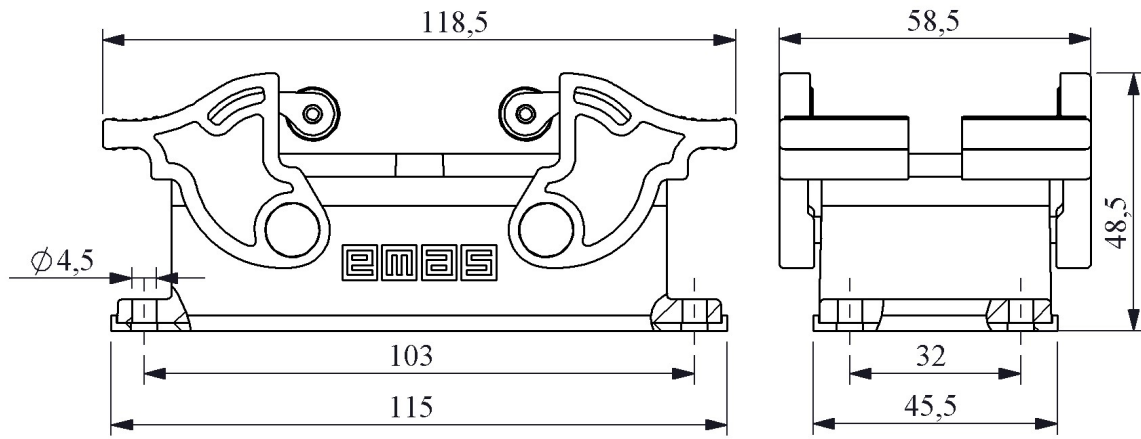
**EBM606PM44**

<b>Operating Current</b>		35A
<b>Product</b>		Multipole
<b>Type</b>		Machine Type Socket
<b>Contact</b>		6 Poles
<b>Usage Category</b>		AC15
<b>Mechanical Life</b>	<b>Min Qty</b>	≥ 500
<b>Electrical Life</b>	<b>Min Qty</b>	≥ 100
<b>Operating Frequency</b>	<b>On-Off/Hour</b>	Mech.240 Elec.120
<b>Insulation Voltage</b>	<b>Ui</b>	690V
<b>Impulse Withstand Voltage</b>	<b>Uimp</b>	6 kV
<b>Dielectric Strength (Body-Contact)</b>		1890V AC
<b>Dielectric Strength (Contact-Contact)</b>		3000V AC
<b>Isolation Resistance</b>		10 MΩ Min. (500 V DC)
<b>Operating Temperature</b>		-40 / +125 °C
<b>Pollution Degree</b>		3
<b>Protection Degree</b>		IP65
<b>Body Material</b>		Metal
<b>Production Time</b>		31.12.1899 00:00:00
<b>Serial</b>		EBM Series
<b>Entry</b>		Bottom Entry
<b>Locking</b>		4 Handle
<b>Specifications</b>		Wide product variety
		IP65 in closed position
		Universal inserts
		Easy cabling
		Different locking types
		Powdercoated metal housing
<b>Standards / Certificates</b>		TS EN 61984

CE



UK  
CA



Kontak Sayısı: 6P+E