

Technical Specification



Precision Engineering

Fluid Automation Systems SA

CP 256, Route de l'Etraz 126
CH-1290 Versoix, Switzerland
Tél. +41 (0) 22 775 10 00
www.imi-precision.com

Date: 28.09.2016

Par: JFU

Page no: 1/1

Part number 01-311P-015H0 12N12I 230V 50/60Hz 1.50VA

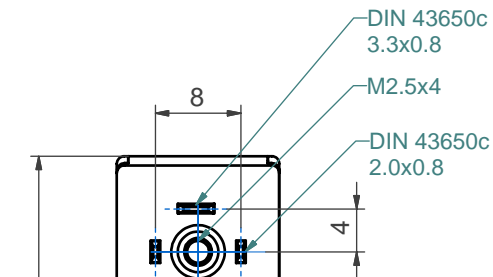
Description MICROSOL 3/2 VOIES NF DIRECTE EMBASE P 1.5MM PPS

Drawing Nb. S012.1744

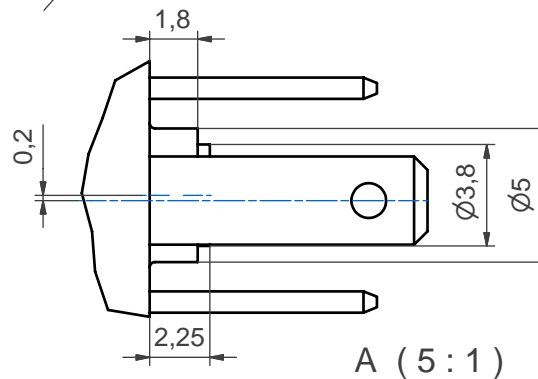
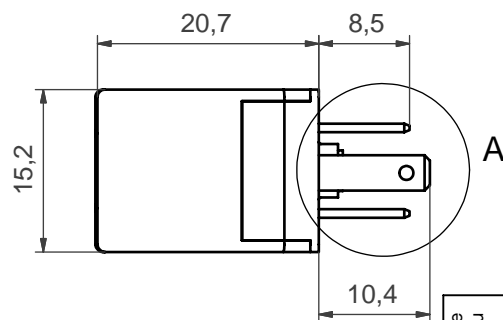
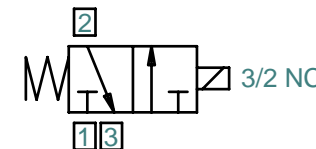
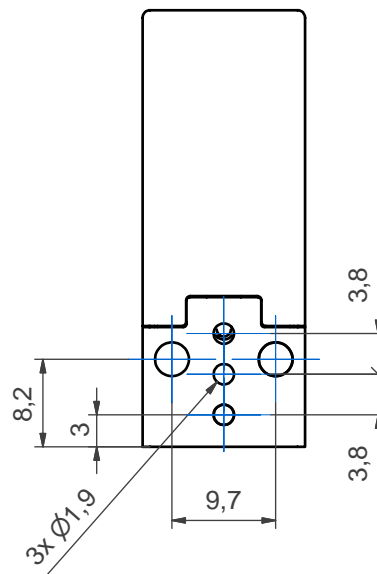
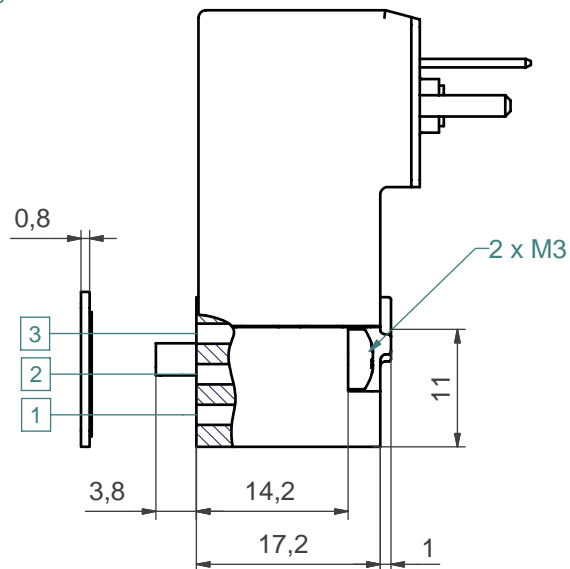
Update date 21.07.2003

Document Nb. T012.1312

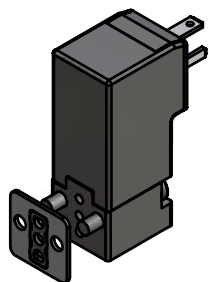
| Item | Value |
|-----------------------------------------------|---------------------|
| <u>CONSTRUCTION</u> | |
| Number of ways, function | 3/2 NC |
| Operation | DIRECT |
| Connection | SUBBASE MOUNTING |
| Orifice size, mm | 1-2=1.5, 2-3=1.5 |
| Body material in contact with media | PPS |
| Oper. material in contact with media | AISI 430FR |
| Seal material in contact with media | NBR |
| Manual override, type | IMPULSE & INDEXABLE |
| Weight (with coil), gr | 30 |
| <u>PERFORMANCE</u> | |
| Pressure range, bar | 0 TO 6 |
| Media, type | AIR, NEUTRAL GAZ |
| Viscosity, $\text{mPa}\cdot\text{s}$ | 3 MAXI |
| Temperature range, ambient $^{\circ}\text{C}$ | -10 TO +50 |
| Temperature range, media $^{\circ}\text{C}$ | -10 TO +30 |
| Flow factor kv, l/min | 1-2=0.55; 2-3=0.55 |
| Cycling rate, Hz | 30 |
| Pneumatic response time, ON, msec | 8-15 (CETOP RP19P) |
| Pneumatic response time, OFF, msec | 8-15 (CETOP RP19P) |
| <u>ELECTRICAL FEATURES</u> | |
| Voltage/frequency, nominal, volt | 230V 50/60Hz |
| Pull-in voltage, volt | 230V AC -10%/+15% |
| Resistance, ohm | 14700 +/-5% |
| Insulation class, $^{\circ}\text{C}$ | F155 |
| Electrical insulation, volt | 1500V AC |
| Protection degree, IP | 65 |
| Duty cycle, % | 100% |
| Electrical connection | DIN 43650 "C" 2P+E |
| Coil orientation | B01 |
| <u>OTHER</u> | |
| 50Hz : Inrush & nominal power VA | 2.2 & 1.6 |
| 60Hz : Inrush & nominal power VA | 2.0 & 1.4 |



Commande manuelle impulsion & bistable
 Impulse & indexable manual override
 Handbetätigung bistabilen Impulsschalter



B01



| | | | | | |
|-------------------------------------------------------------------------------------------------------------------------------------------------------------------------------------------------------------------------------------|------------------------------------|------------|-----------|--------------|------------|
| Ce document est la propriété de FAS. Il ne peut être reproduit ou communiqué sans autorisation écrite de FAS. This document is the property of FAS. It must not be reproduced or communicated without written permission of FAS. | Révision | | | | |
| | Matière : | Finition : | | | |
| | Design. | Ech. | Dessiné | VRO | 17.11.2003 |
| | MICRO 3/2 "P-" MOD DIN A/CT | 2:1 | Controlé | DRI | 18.04.2006 |
| fluid automation systems CH-1290 Versoix-Geneva, Switzerland www.fas.ch | | Format : | A3 | Page : 1 / 1 | |
| | | | S012.1744 | | |
| | | | | Rév. | |